



Leica DISTO™ X3 / X4



- when it has to be right



The New Leica DISTO™ X-range



Leica DISTO™ X3 and X4

Rugged design for tough conditions



Water jet and dust protected to IP 65 standards



2m drop tested



Solid rubber housing

What does it mean for the user?



Durable devices for tough construction site conditions



Long-term investment

Leica DISTO™ X4

Outdoor measuring with a digital Pointfinder



Pointfinder camera



2" high-resolution display



4x zoom

What does it mean for the user?



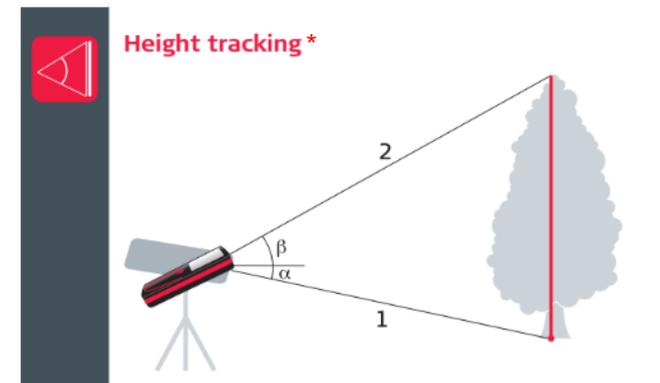
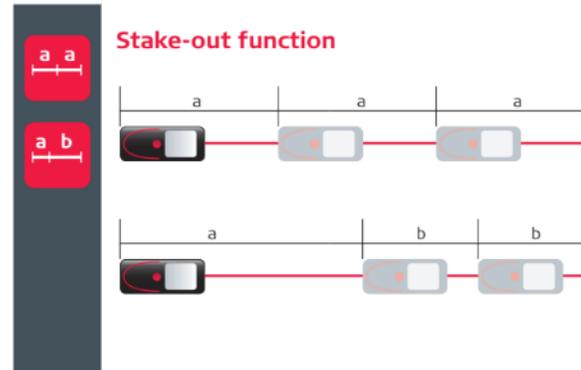
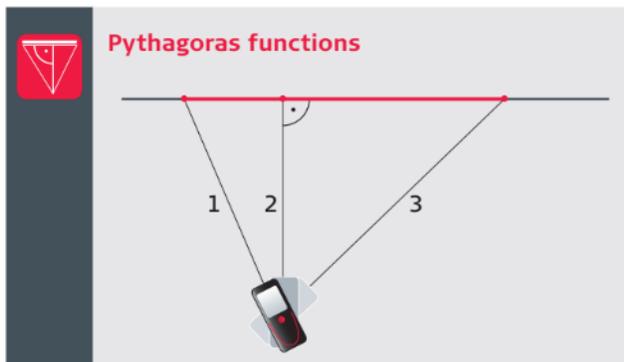
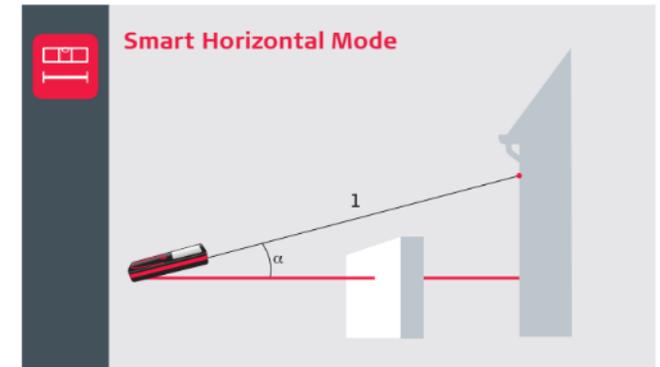
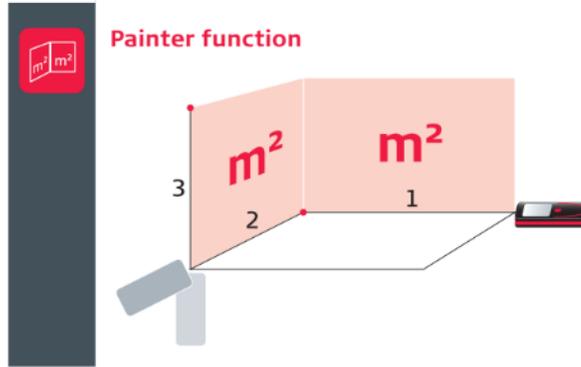
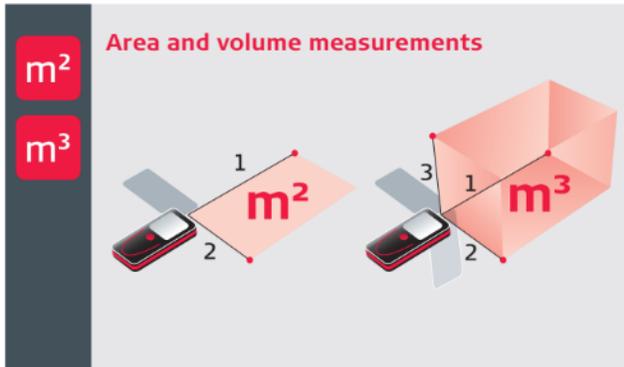
Easy long-distance measurements in bright sunlight



Precise outdoor targeting of distant objects

Leica DISTO™ X3 and X4

Functions and features



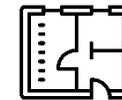
* Only available in Leica DISTO™ X4

Leica DISTO™ X3 and X4

Bluetooth® Smart – document and visualise



Support iOS, Android and Windows®



Create sketches, plans and document your measurements on your smartphone or tablet automatically when taking measurements

What does it mean for the user?



Start the digital workflow with the very first measurement



Avoid documentation and transposing errors, and save time

- when it has to be **right**

Leica DISTO™ X3 and X4

Stake-out – a well known function re-invented



Visual information indicates exactly where you are



Easy detection of stake-out position due to dynamic marks on the display

What does it mean for the user?



Speeds up the stake-out workflow significantly

Leica DISTO™ X3 and X4 End-piece XL



XL 80% longer end-piece

 Automatic recognition of reference

What does it mean for the user?

 Offers additional measurement possibilities and reduces restrictions for window and blind makers

Leica DISTO™ DST 360

Transform your X-series into a P2P tool



Intelligent adapter powered by the DISTO™ X3 or X4



Measure distances between any 2 points from one location



3D point measurement

What does it mean for the user?



Measure distances which are hard to access easily, quickly and safely



Export X, Y and Z coordinates into your CAD solution or app

Leica DISTO™ X3 and X4 with Leica DST 360

Functions and features



Point-to-Point measurements



Point-to-Point measurements levelled



Smart area measurement

Leica DISTO™ Plan

Measuring requires documentation



-  Document and visualise
-  Organise projects
-  Export 2D and 3D plans
-  Software updates for your DISTO™ X-series and DST 360

What does it mean for the user?

-  All information is instantly available and can be shared immediately
-  Improves documentation quality and saves time

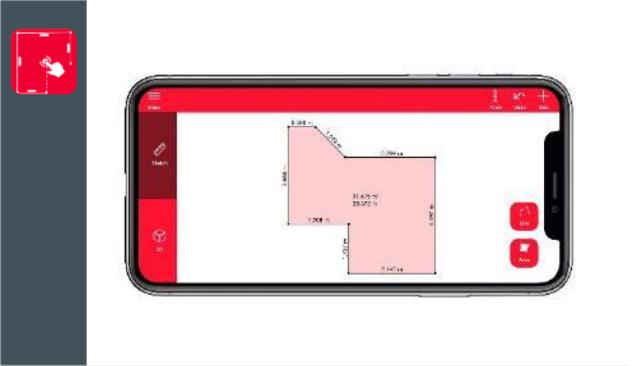
- when it has to be **right**

Leica DISTO™ X3 and X4 with Leica DISTO™ Plan

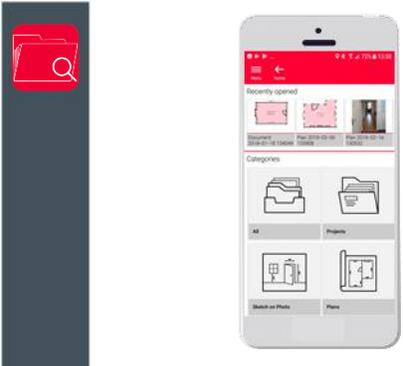
Functions and features



Sketch on photo *



Sketch Plan *



Organiser *



Smart room



Device management

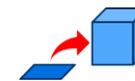
* Applicable for the whole DISTO™ range

Leica DISTO™ X3 or X4 in combination with Leica DISTO™ Plan

Smart room – let your DISTO™ draw your plan



Automatically create scaled floor plans simply by measuring single distances



Assign the room height to the floor plan and transform it into a 3D model



Export 2D and 3D

What does it mean for the user?



No need to sketch or write down measurements



An accurate floorplan cannot be faster created

- when it has to be **right**

Leica
Geosystems

Leica DISTO™ X3 and X4 with Leica DISTO™ Plan and DST 360

Functions and features



Measure Plan *

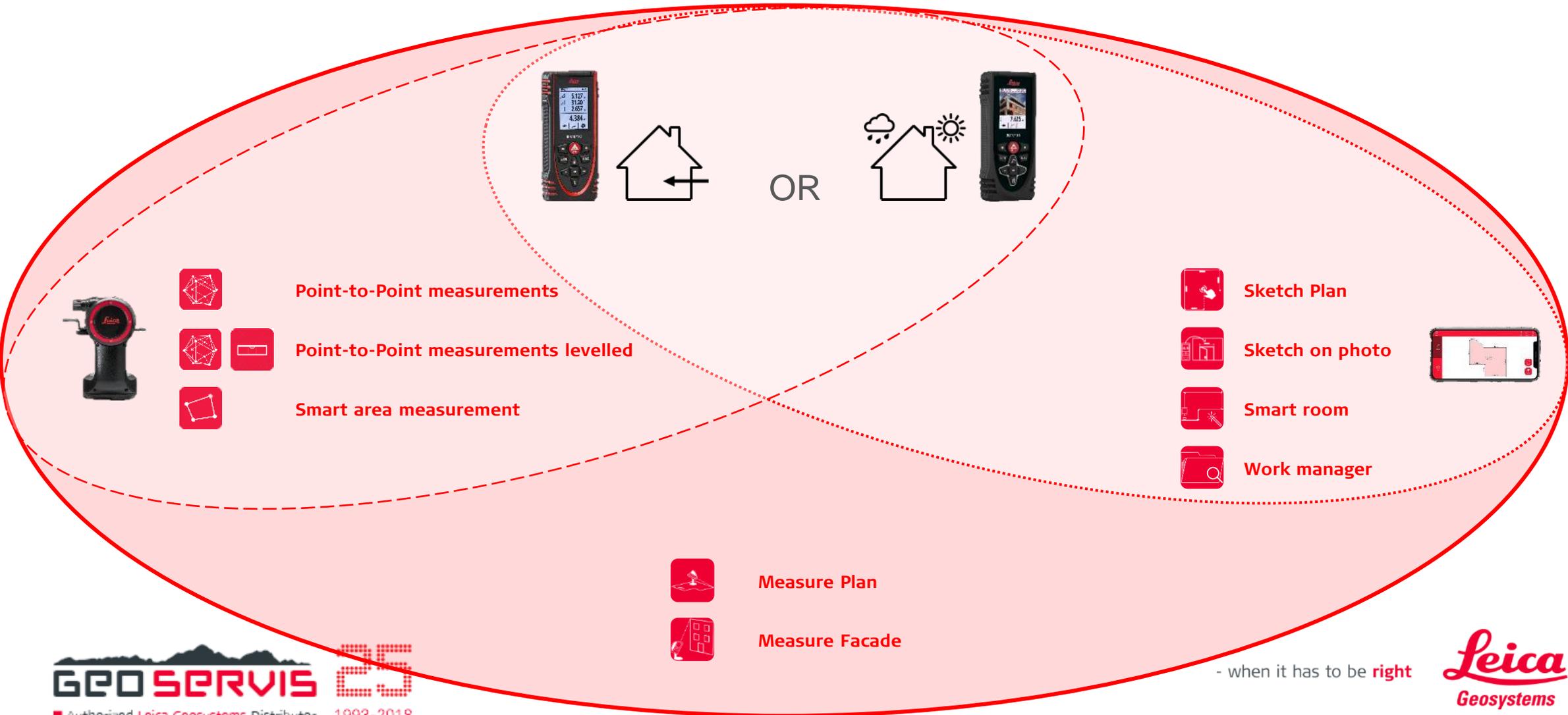


Measure Facade *

* DISTO™ S910 also supported

Extend the functionality of your Leica DISTO™

Create your individual solution which suits your personal needs



Leica DISTO™ X3 and X4 with Leica DISTO™ Plan and DST 360

Target groups



Digital Constructor



Carpenter



Appraiser & Inspectors



Painters



Solar



Facility Management



Electricians & plumbers



Dry liners



Painter & Floorer



Window Installer



Utilities



HVAC



Kitchen installers



Landscape Architect



(Building) Construction



Public Safety



Transportation



Filming

Leica DISTO™ X3 and X4

Certified quality and assured reliability



The range and accuracy of all Leica DISTO™ devices are checked in accordance with ISO 16331-1. As a result, you can be sure that the performance of the instrument is maintained not only in the test laboratory but even more importantly on everyday site tasks.



All devices must pass several tests before leaving the factory



Temperature and humidity tests ensure consistent measurements



Hardest requirements must be fulfilled even above industrial standards



Extend the warranty of your product

The Leica Geosystems products and Li-Ion batteries meet the highest quality demands. Register your product within 8 weeks of purchase at www.disto.com and benefit from our 3-year warranty, respectively 2-year warranty on Li-Ion batteries.

What does it mean for the user?



Reliable measurement results over the entire lifetime of the DISTO™

- when it has to be right



Leica DISTO™ X3 and X4

Technical data

	Leica DISTO™ X3	Leica DISTO™ X4
Range (ISO 16331-1 certified)	0.05 up to 150 m	0.05 up to 150 m
Typ. distance measuring accuracy (ISO 16331-1 certified)	± 1.0 mm	± 1.0 mm
Tilt sensor	360° ± 0.2°	360° ± 0.2°
IMU sensor for Smart Room	X	X
P2P Range (requires Leica DST 360)	Hz 360° V - 64° to > 90°	Hz 360° V - 64° to > 90°
P2P Accuracy (requires Leica DST 360)	@ 2, 5, 10 m ± 2, 5, 10 mm	@ 2, 5, 10 m ± 2, 5, 10 mm
Digital Pointfinder	-	4-fold zoom
Display	2" size, 320x240 pxs. color display	2" size, 320x240 pxs. color display
Bluetooth® smart	X	X
Transfer of 3D data via Bluetooth® smart	X	X
Batteries	2 x AA size Alkaline	2 x AA size Alkaline
Measurements per set of batteries	4'000 measurements, 8h operation	4'000 measurements, 8h operation
Protection	IP65, 2m drop tested	IP65, 2m drop tested
Dimensions	132 x 56 x 29 mm	132 x 56 x 29 mm
Weight	184 g	188 g